

Art Clay Silver Bracelets

Determining Watch Bracelet or Bracelet Measurements

It is easier to work in millimeters than inches.
You may go to www.convert-me.com to convert inches to millimeters.

Watch Bracelet Type with Clasp or Toggle

<u>Bracelet Sides Design</u>	<u>Example</u>
Total wrist measurement	200.0mm
Minus the length of the movement	- 20.0 mm
Minus the length of the jumps, clasp and toggle	- 10.0 mm
Total	170.0 mm
Divide by 2	85.0 mm

Divide by 0.9 (factor for shrinkage) **94.4 mm**
(This will be the length of each side of the bracelet before firing)

Spring bar attachment

Width of the spring bar opening	16.0 mm
Divide by 0.9 (factor for shrinkage)	17.8 mm
(Width of clay pattern for attachment)	

Cuff Watch Bracelet Type

<u>Length of Bracelet Design</u>	<u>Example</u>
Total wrist measurement	200.0 mm
Add allowance	+ .5 mm
Minus the opening for wrist	- 30.0 mm
Total	175.0 mm

Divide by 0.9 (factor for shrinkage) 194.4 mm
(This will be the length of the bracelet before firing)

Spring bar attachment

Width of the spring bar opening	14.0 mm
Divide by 0.9 (factor for shrinkage)	15.6 mm
(Width of clay pattern for attachment)	

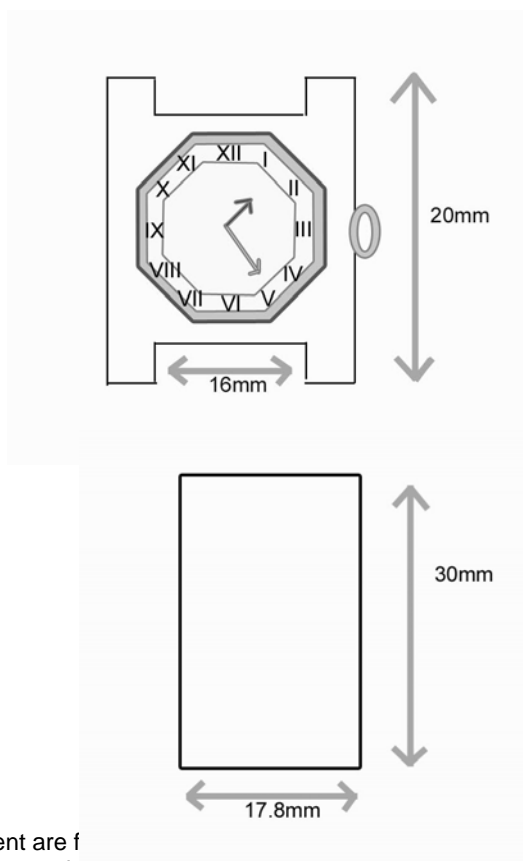
Note: When making a cuff bracelet the bracelet and spring bar attachment are fired together and the spring bar attachments are connected using Oil Paste and fired at 1500°F for 10 minutes.

Bangle Bracelet – bracelet only, no watch face

(A bangle bracelet is connected forming a hoop that slips over the hand.)

<u>Length of Bracelet Design</u>	<u>Example</u>
Measurement around the widest part of the hand	230.0 mm
Add allowance	+ 5.0 mm
Total	235.0 mm

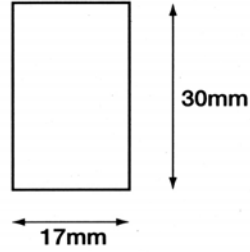
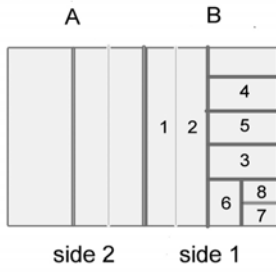
Divide by 0.9 (factor for shrinkage)
(This will be the circumference of the bracelet before firing)



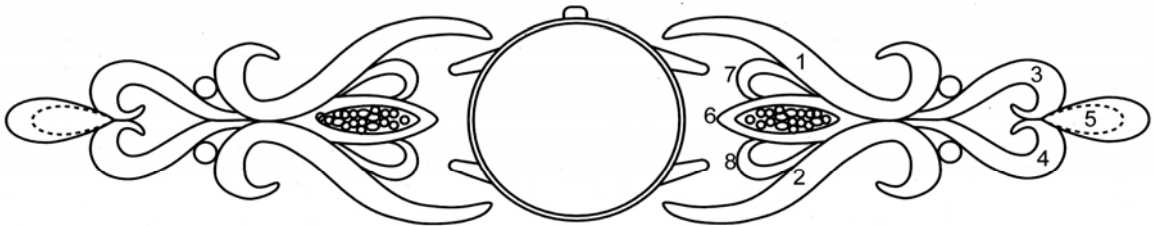
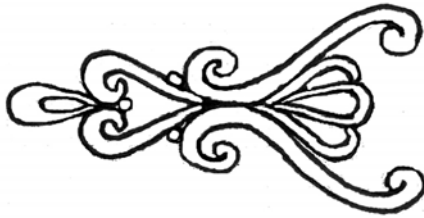
spacing is

ART CLAY WORLD USA

4535 Southwest Highway
Oak Lawn, IL. 60453
Direct (708) 857-8800
Fax (708) 636-5408
Toll Free 1-866-381-0100



20 grams Clay Type



ART CLAY WORLD USA

4535 Southwest Highway
Oak Lawn, IL. 60453
Direct (708) 857-8800
Fax (708) 636-5408
Toll Free 1-866-381-0100

[Contact Us](#)

Copyright ©2001
All rights reserved.